

# SCHÉMAS ÉLECTRIQUES

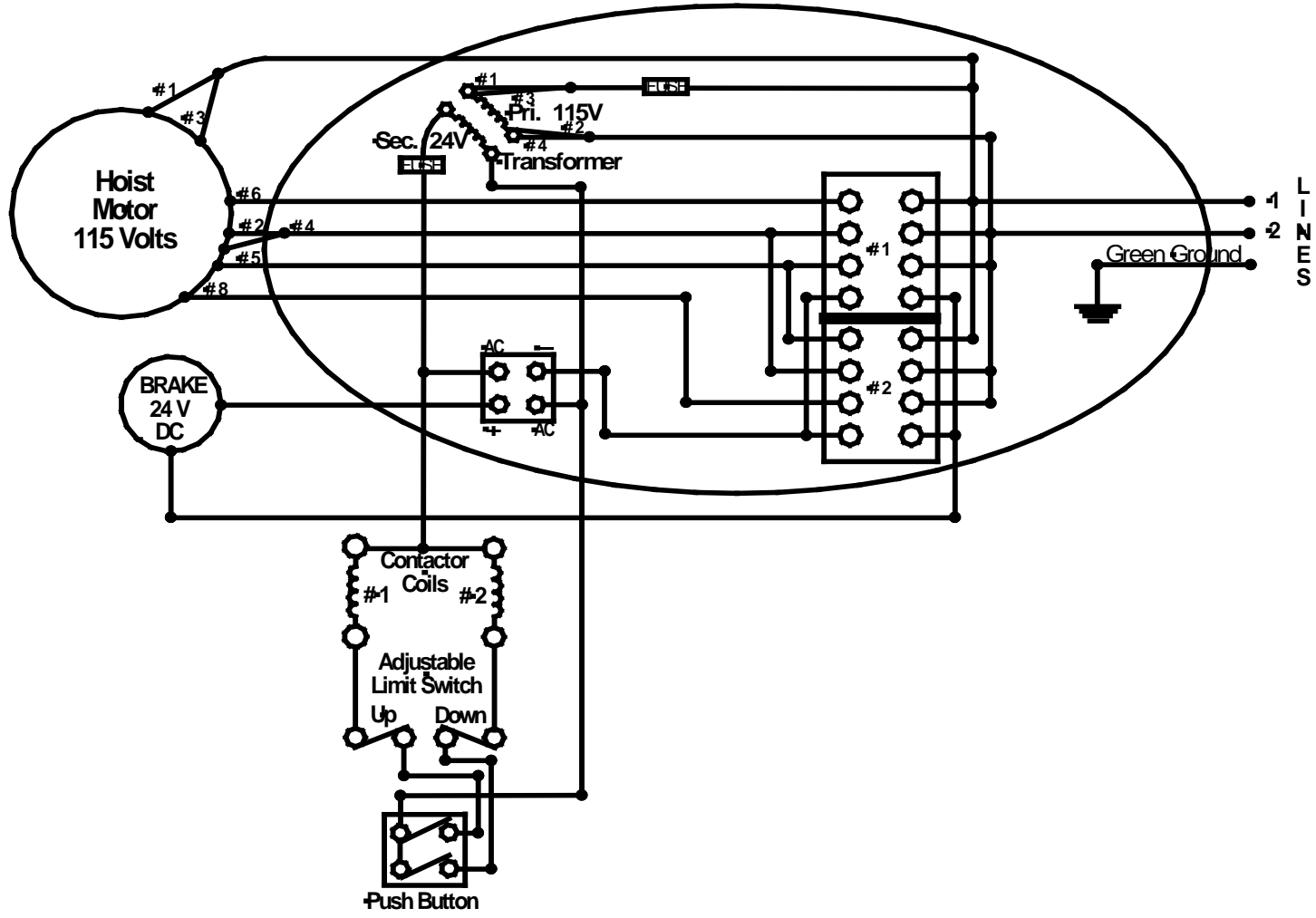
---

## WIRING DIAGRAMS



**VULCAN ELECTRIC HOIST**  
 115 Volts 1 phase 60 Hz  
 24 Volt Controls Motor 115 or 230 Volts

# A401



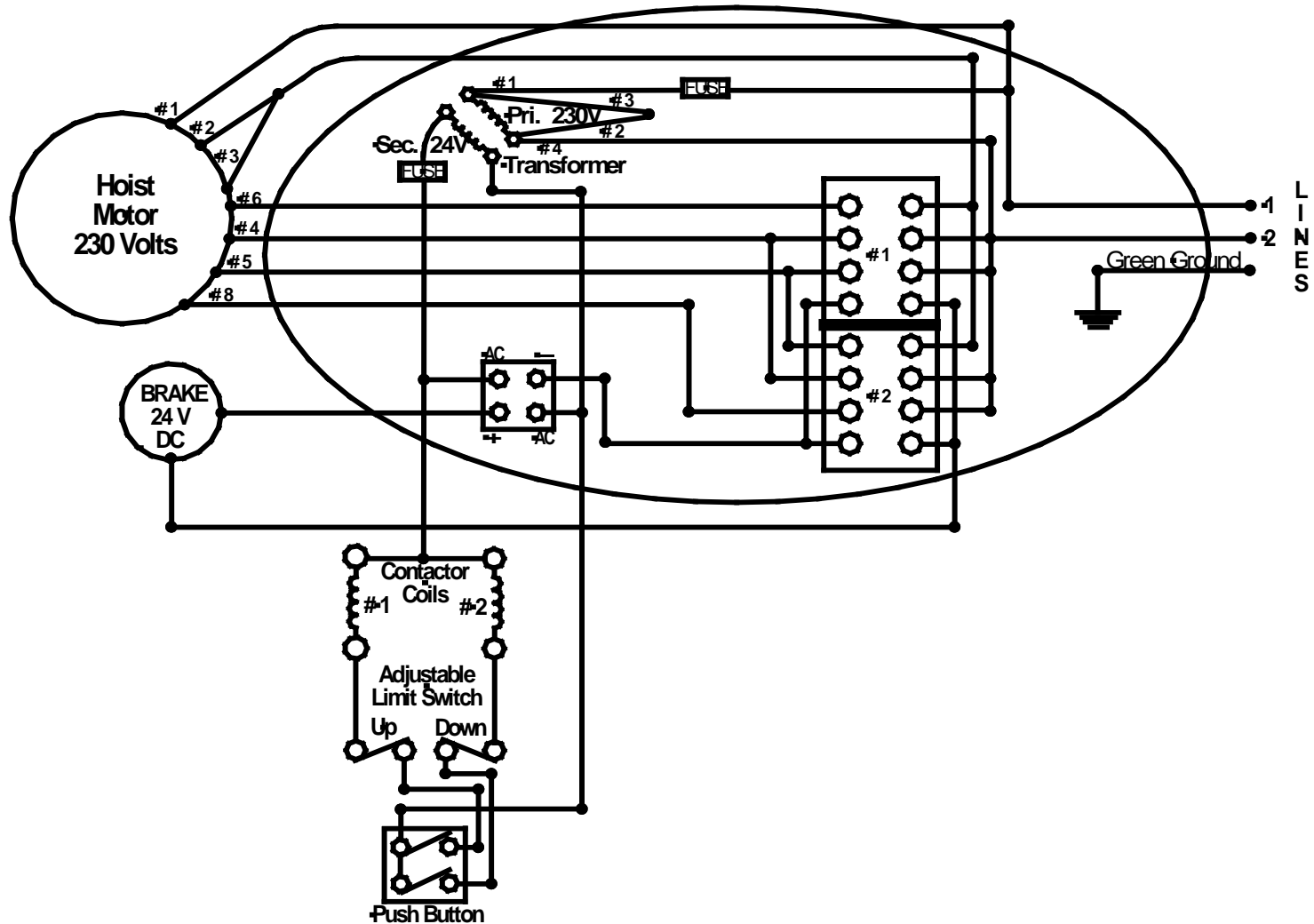
INDEX	
# 1	Up Contactor
# 2	Down Contactor

Revised May, 2010

# VULCAN ELECTRIC HOIST

230Volts 1 phase 60 Hz  
24 Volt Controls Motor 115 or 230 Volts

# F501



## INDEX

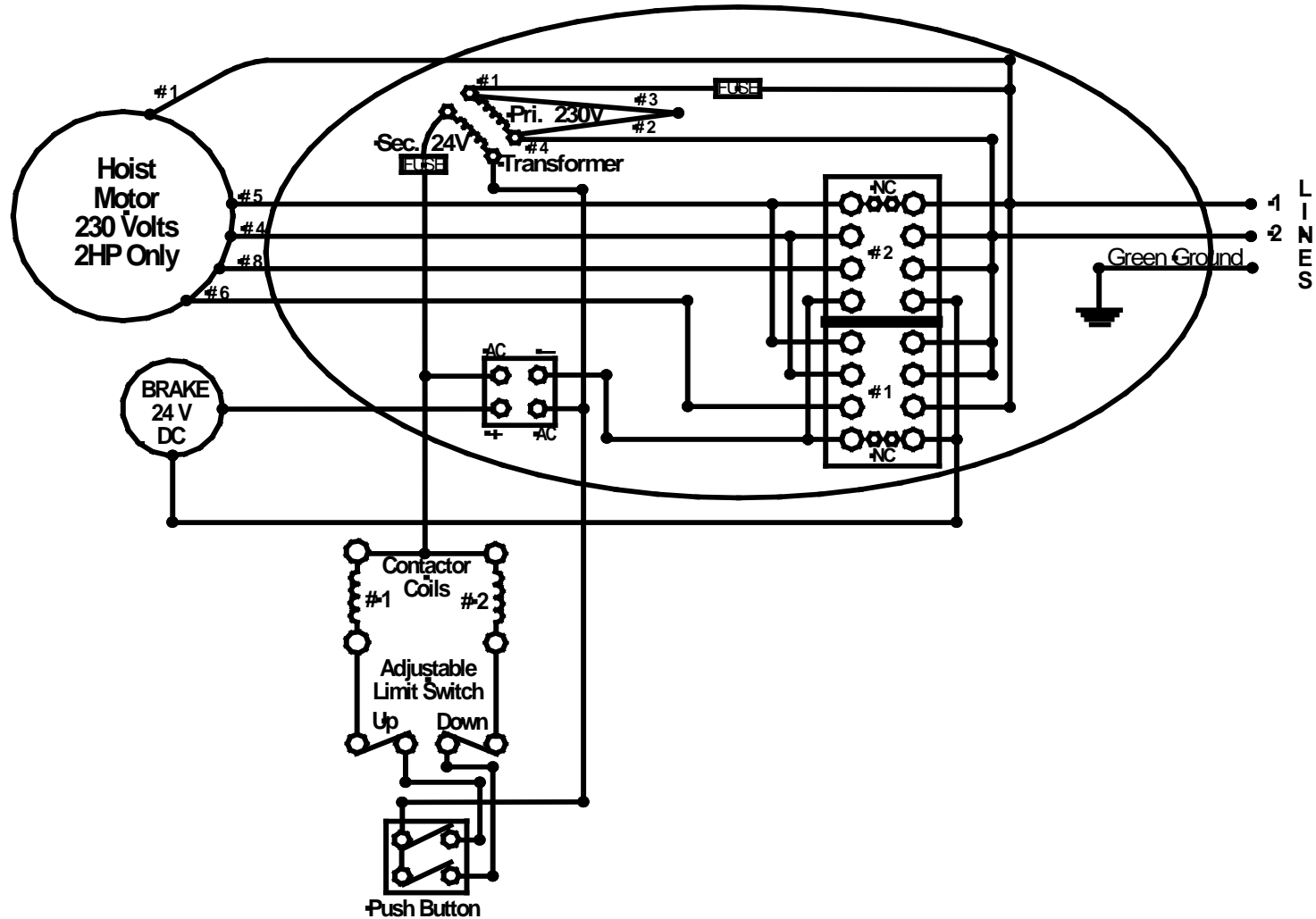
- # 1 Up Contactor
- # 2 Down Contactor

Revised May 2010

# VULCAN ELECTRIC HOIST

230 Volts 1 phase 60 Hz  
24 Volt Controls 2 HP Motor 230 Volts Only

# F502



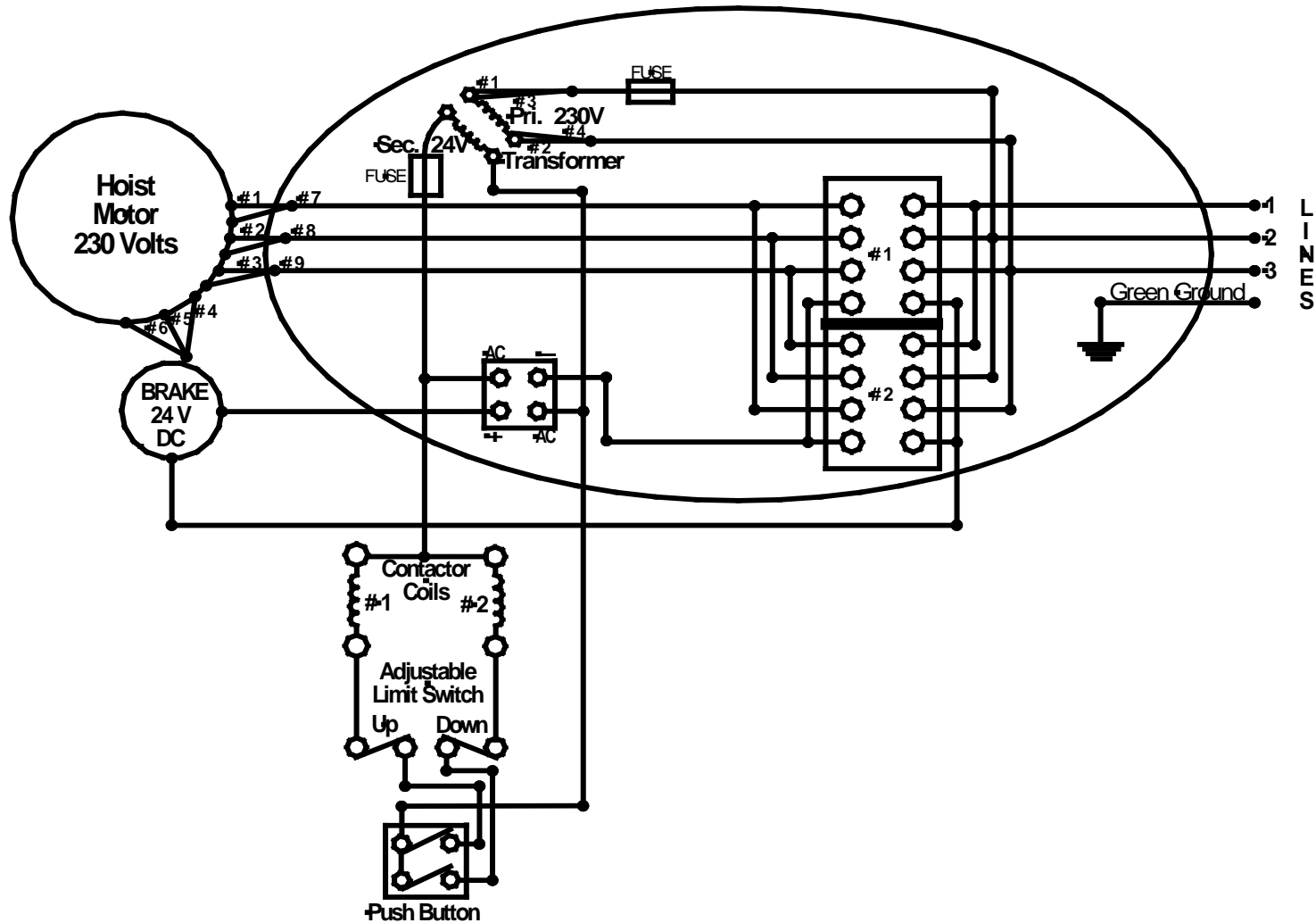
INDEX	
# 1	Up Contactor
# 2	Down Contactor

# VULCAN ELECTRIC HOIST

230 Volts 3 phase 60 Hz

24 Volt Controls

# H301



## INDEX

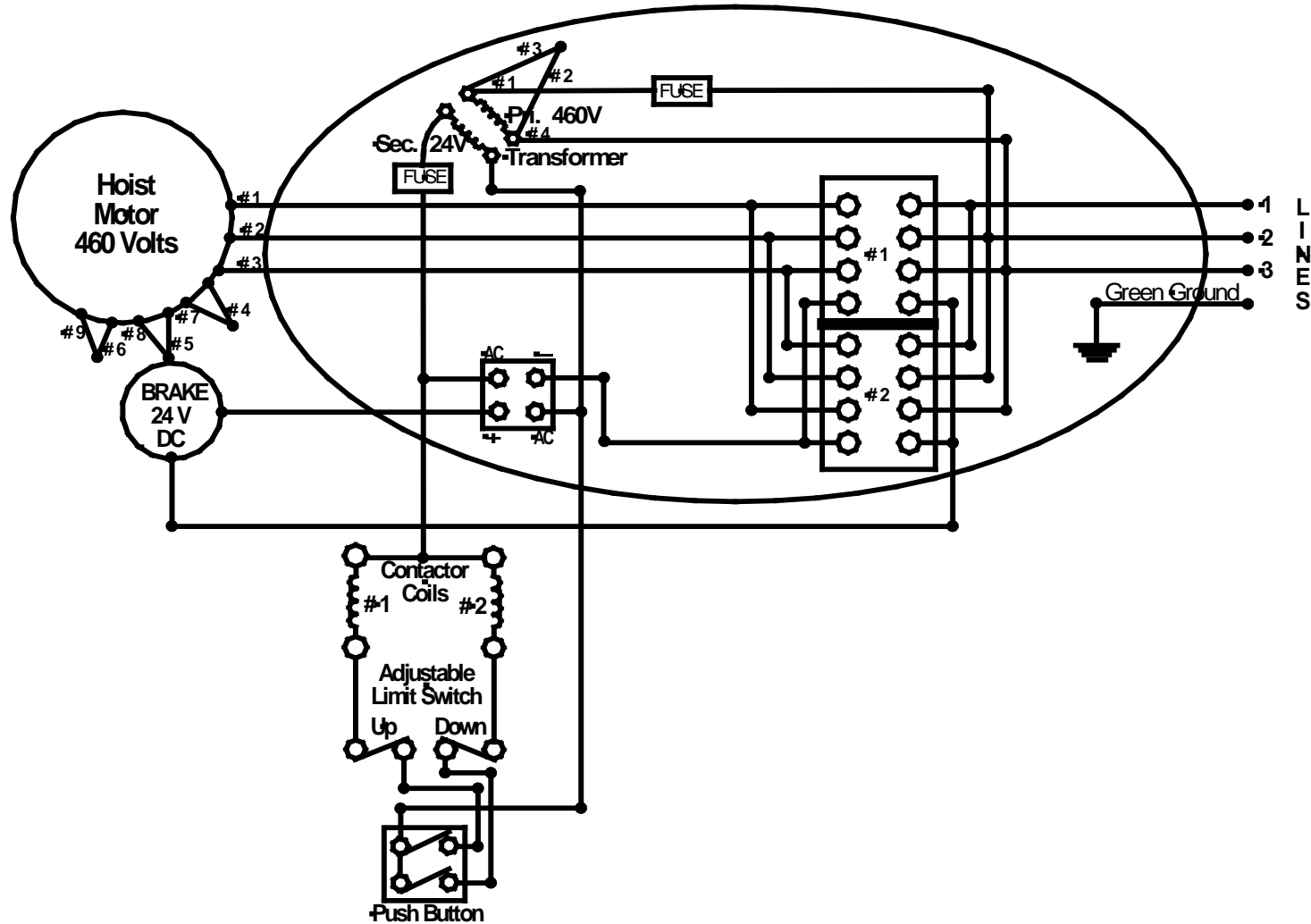
- # 1 Up Contactor
- # 2 Down Contactor

Revised April 2010

# VULCAN ELECTRIC HOIST

460 Volts 3 phase 60 Hz  
24 Volt Controls

# T201



## INDEX

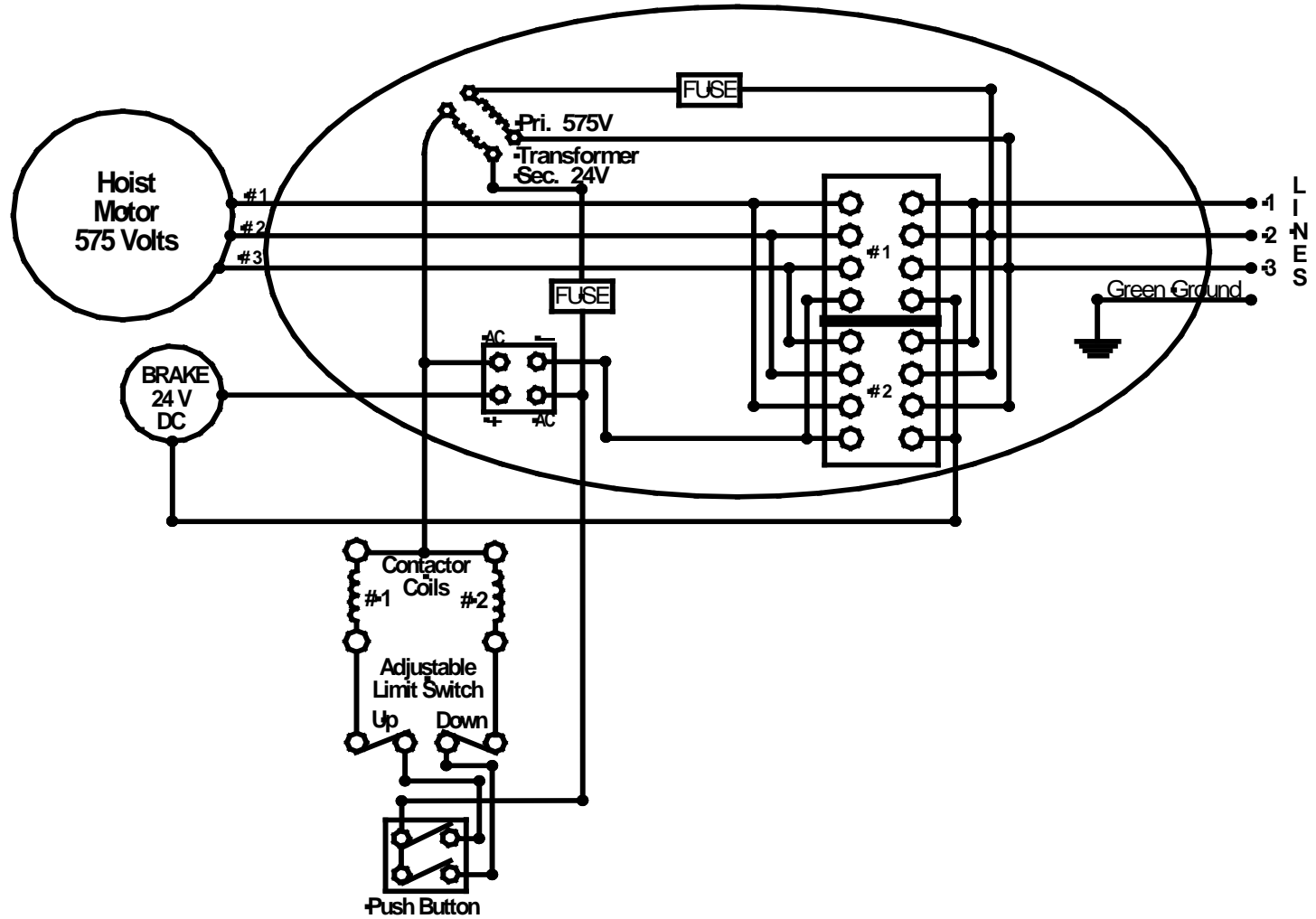
- # 1 Up Contactor
- # 2 Down Contactor

Revised October 23rd, 2002

# VULCAN ELECTRIC HOIST

575 Volts 3 phase 60 Hz  
24 Volt Controls

# V101



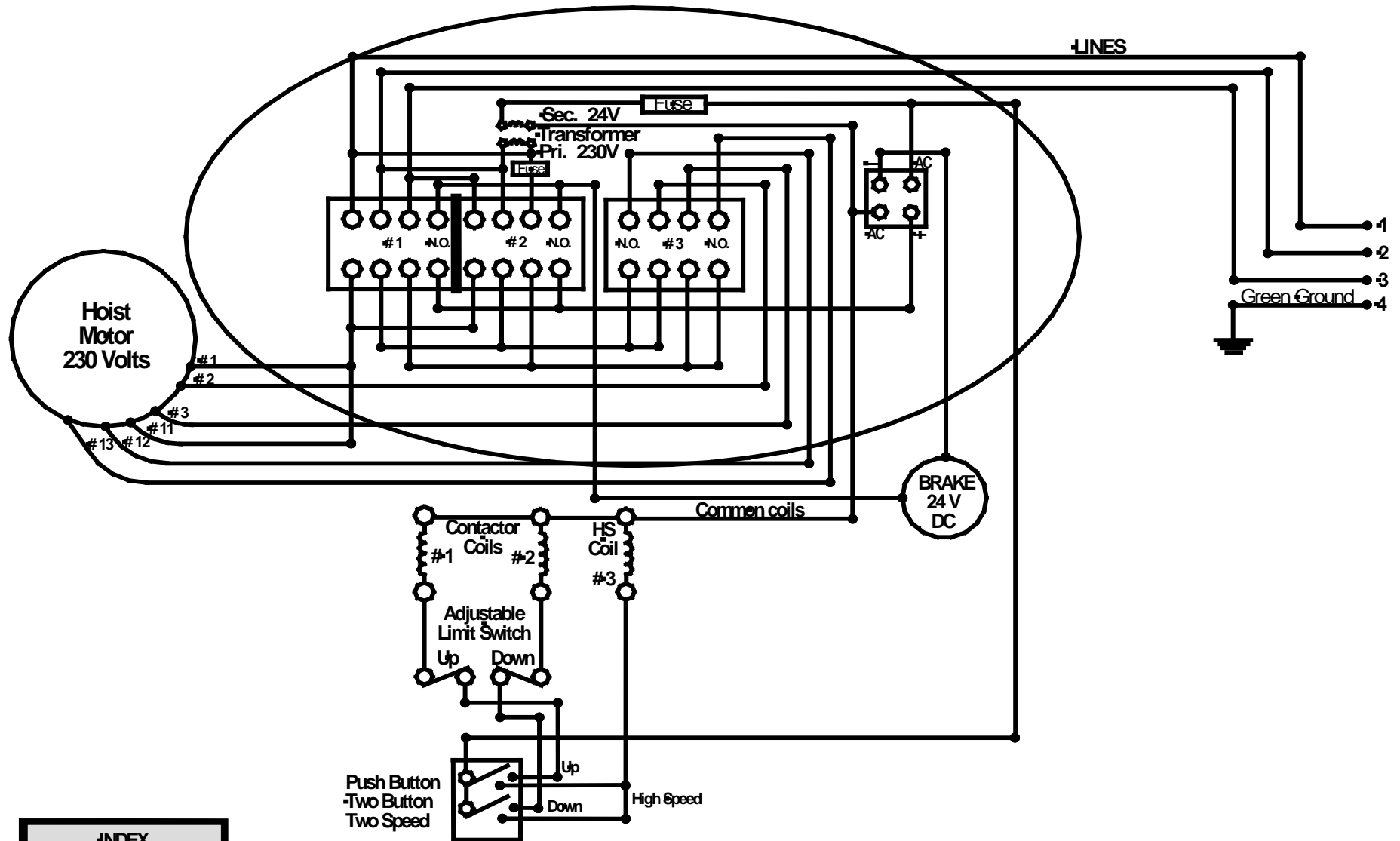
INDEX	
# 1	Up Contactor
# 2	Down Contactor

Revised May, 2010

# VULCAN ELECTRIC HOIST 2 SPEEDS

230 Volts 3 phase 60 Hz  
24 Volt Controls

# H309



INDEX	
# 1	Up Contactor
# 2	Down Contactor
# 3	HS Contactor

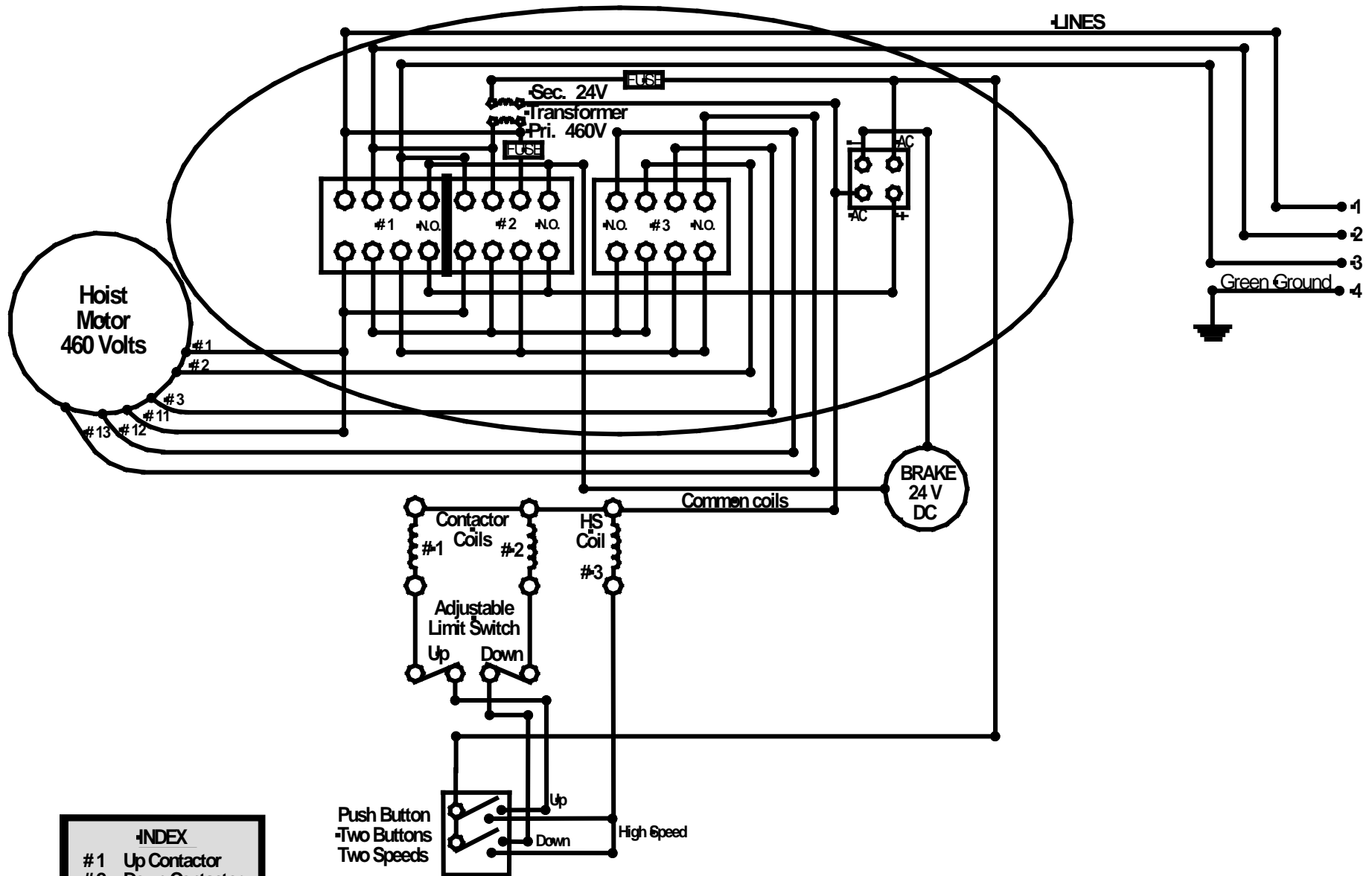
Revised April 2010



# VULCAN ELECTRIC HOIST 2 SPEEDS

460 Volts 3 phase 60 Hz  
24 Volt Controls

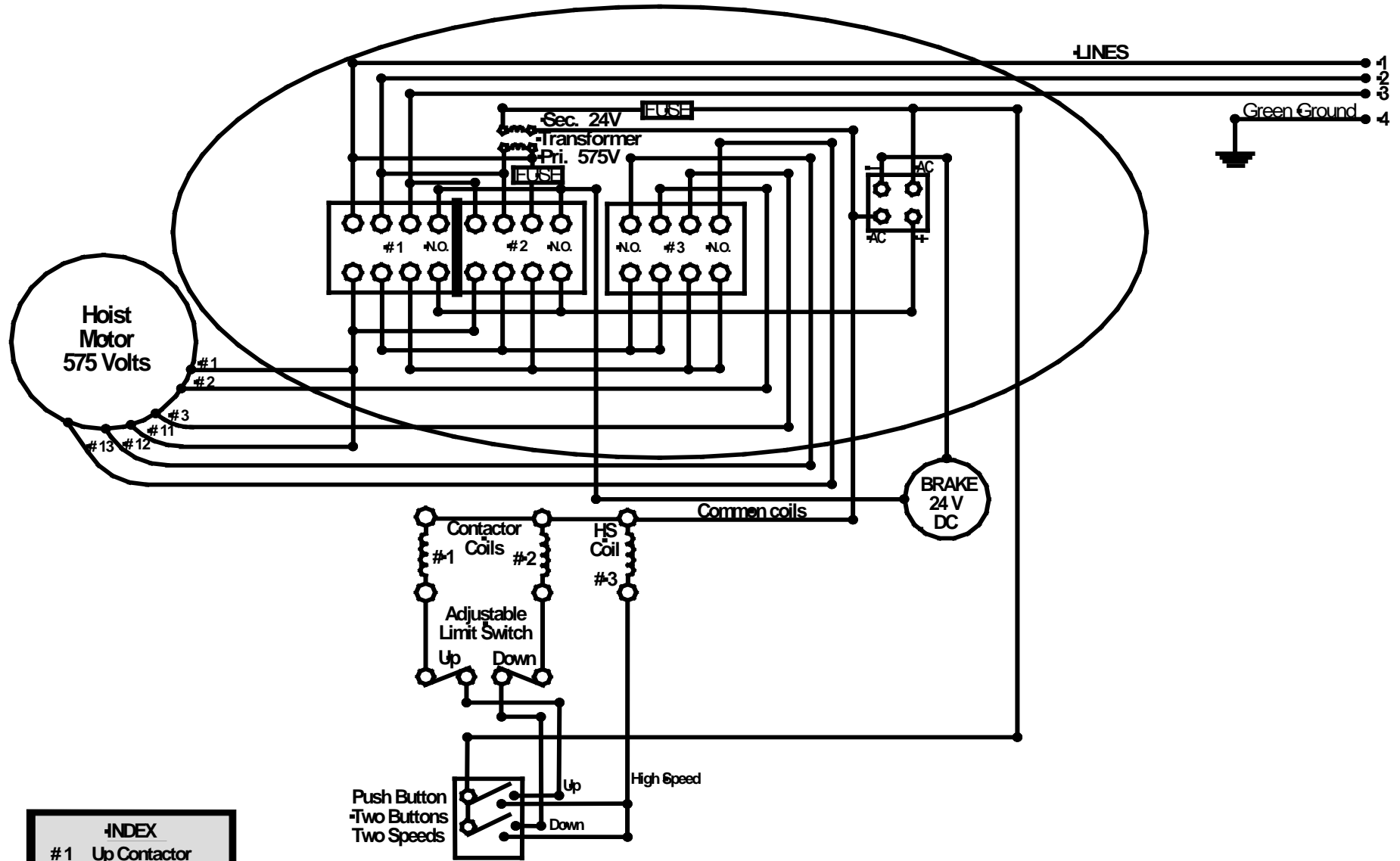
# T209



# VULCAN ELECTRIC HOIST 2 SPEEDS

575 Volts 3 phase 60 Hz  
24 Volt Controls

# V109



INDEX	
# 1	Up Contactor
# 2	Down Contactor
# 3	HS Contactor

Revised May, 2010

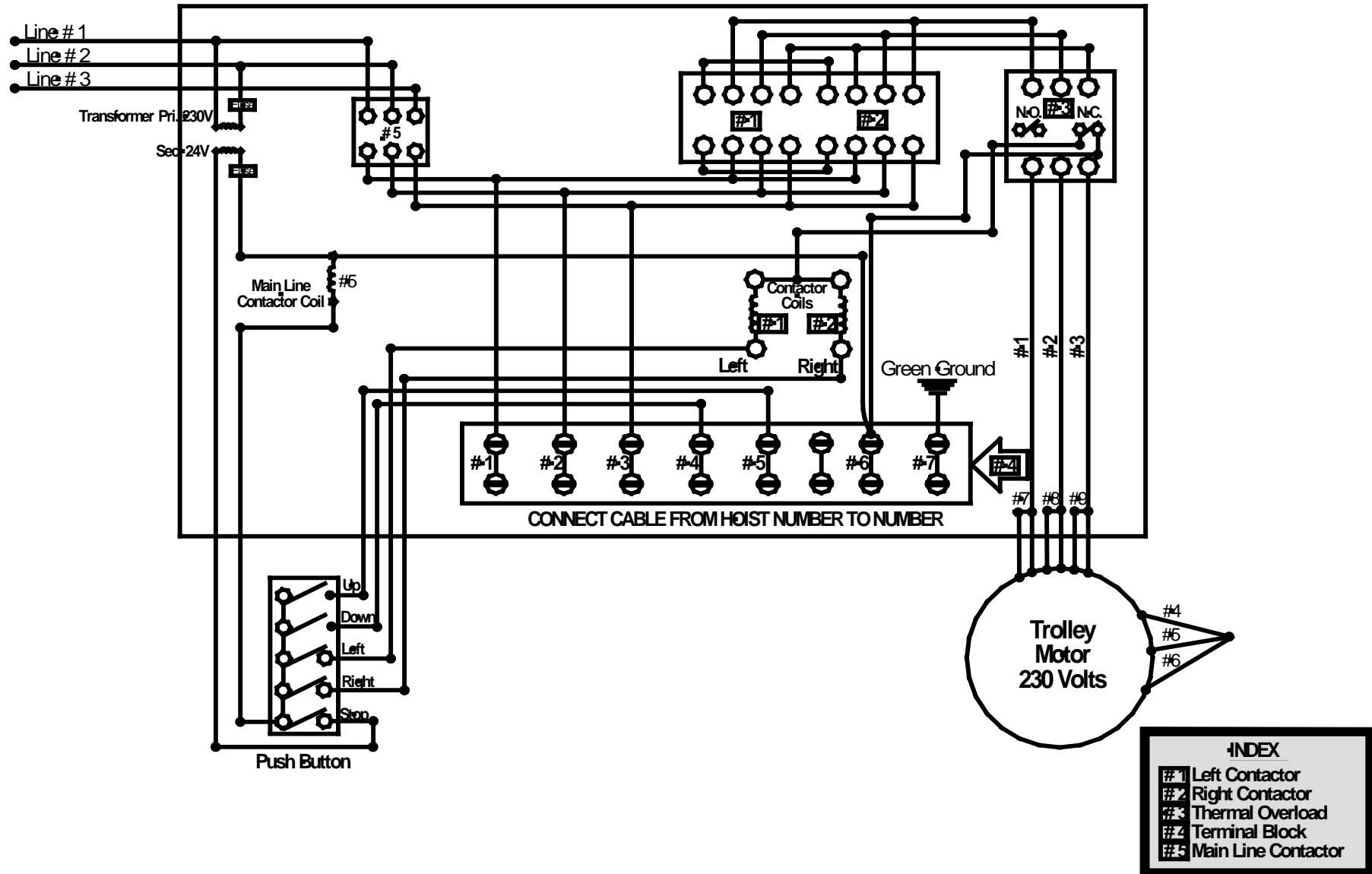
# VULCAN ELECTRIC TROLLEY WITH THERMAL OVERLOAD TO CONNECT WITH VULCAN ELECTRIC HOIST

#H327

230 Volts 3 phase 60 Hz

24 Volt Controls

See Diagram # H327A



INDEX	
#1	Left Contactor
#2	Right Contactor
#3	Thermal Overload
#4	Terminal Block
#5	Main Line Contactor

Revised April 2010

# VULCAN ELECTRIC HOIST TO CONNECT WITH VULCAN ELECTRIC TROLLEY

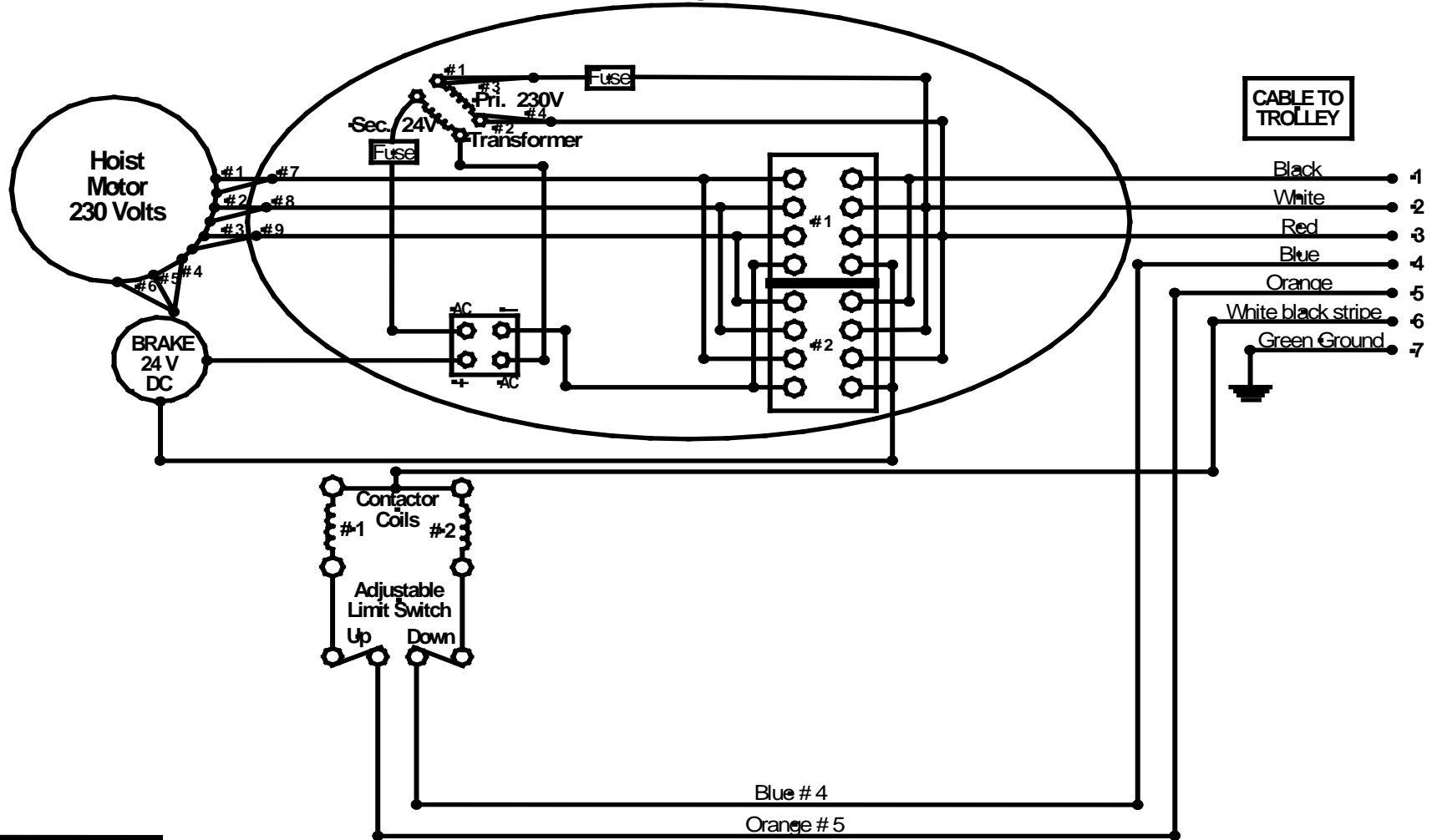
# H327A

230 Volts 3 phase 60 Hz

24 Volt Controls

Emergency stop, Push button in trolley

See diagram #H327



## INDEX

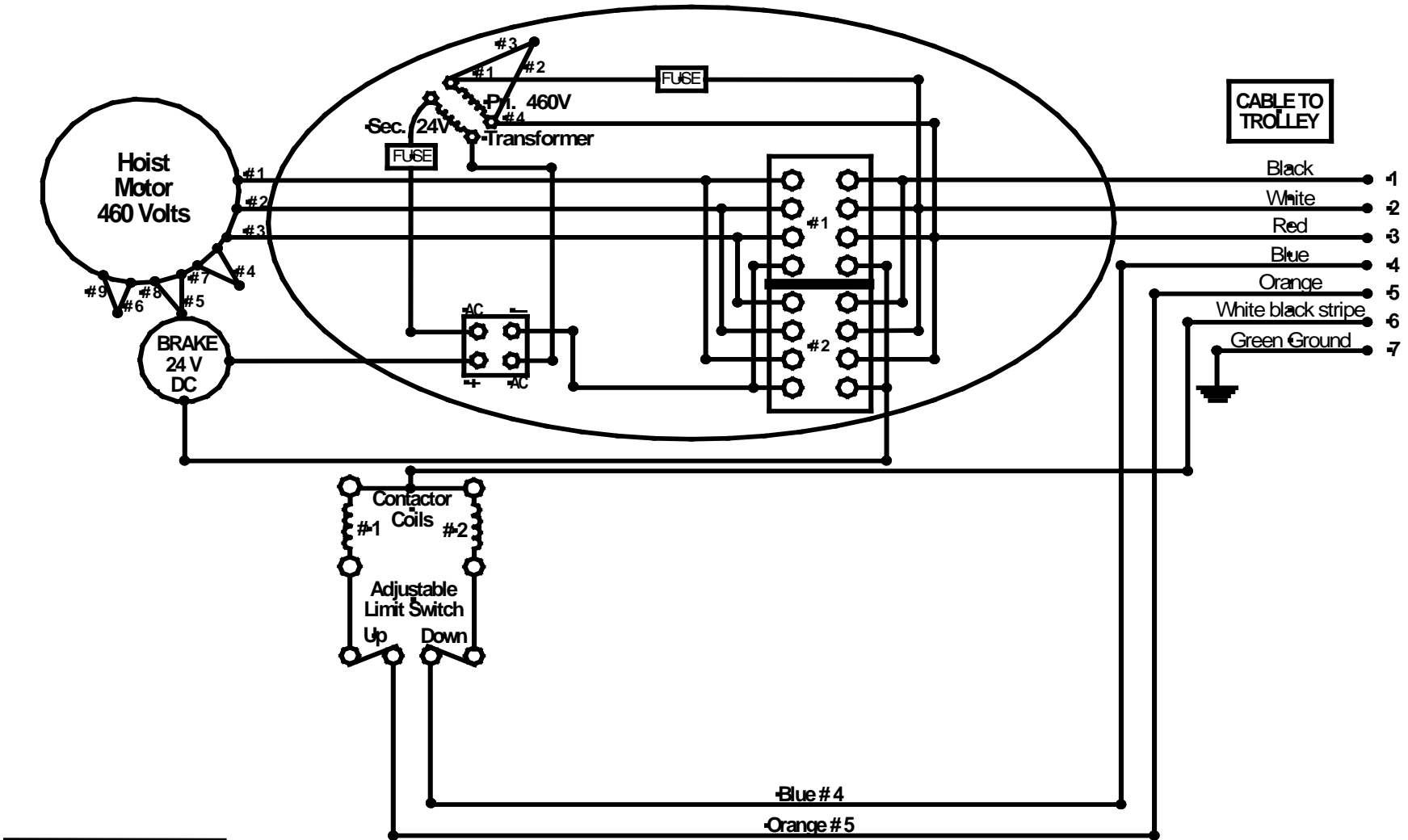
- # 1 Up Contactor
- # 2 Down Contactor

Revised April 2010

# VULCAN ELECTRIC HOIST TO CONNECT WITH VULCAN ELECTRIC TROLLEY

# T227

460 Volts 3 phase 60 Hz  
24 Volt Control  
Emergency stop, Push button in trolley  
See diagram #T227A



INDEX	
# 1	Up Contactor
# 2	Down Contactor

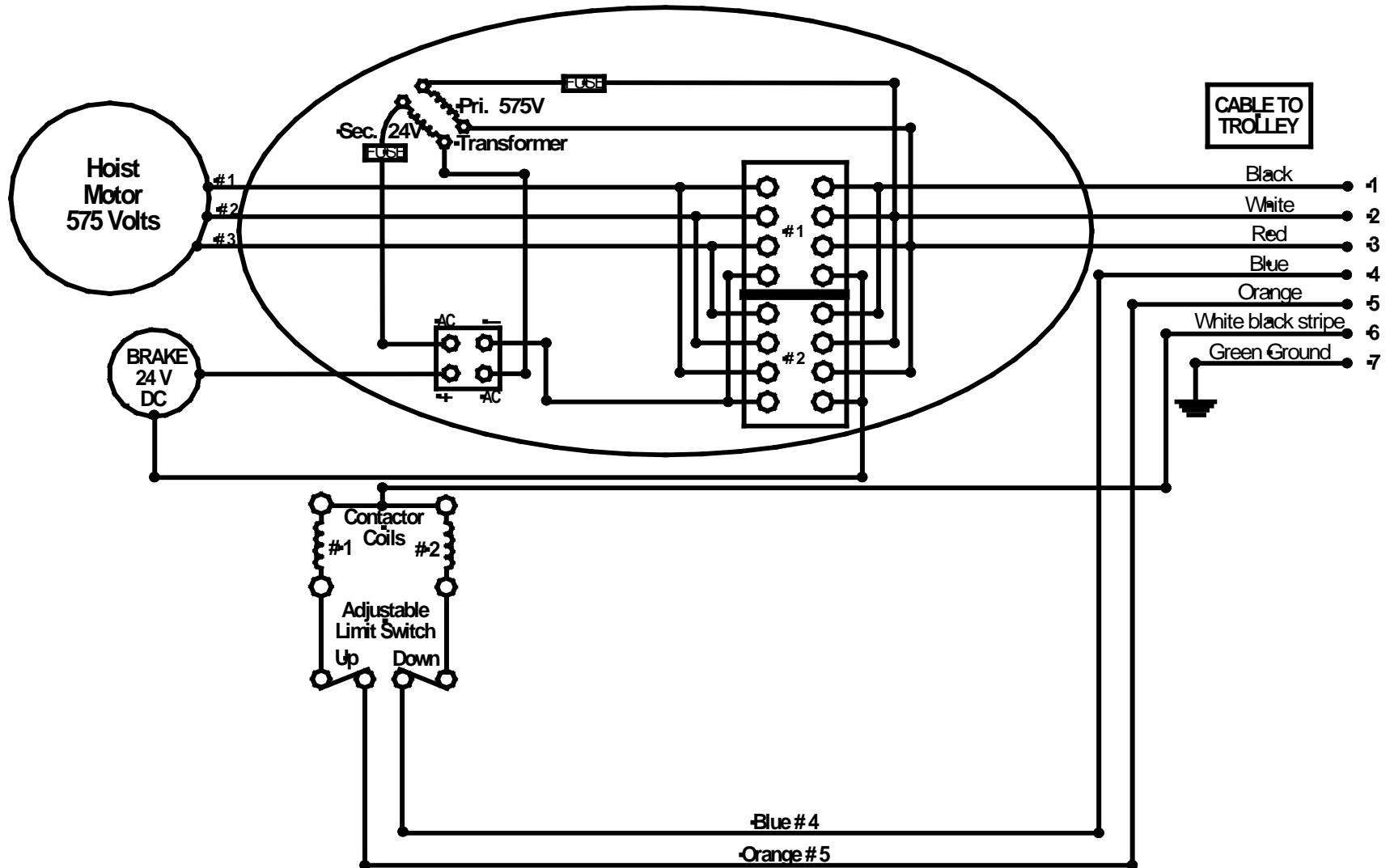
Revised April, 2010

# VULCAN ELECTRIC HOIST TO CONNECT WITH VULCAN ELECTRIC TROLLEY

# V427

575 Volts 3 phase 60 Hz  
24 Volt Controls

Emergency stop, Push button in trolley



INDEX	
# 1	Up Contactor
# 2	Down Contactor

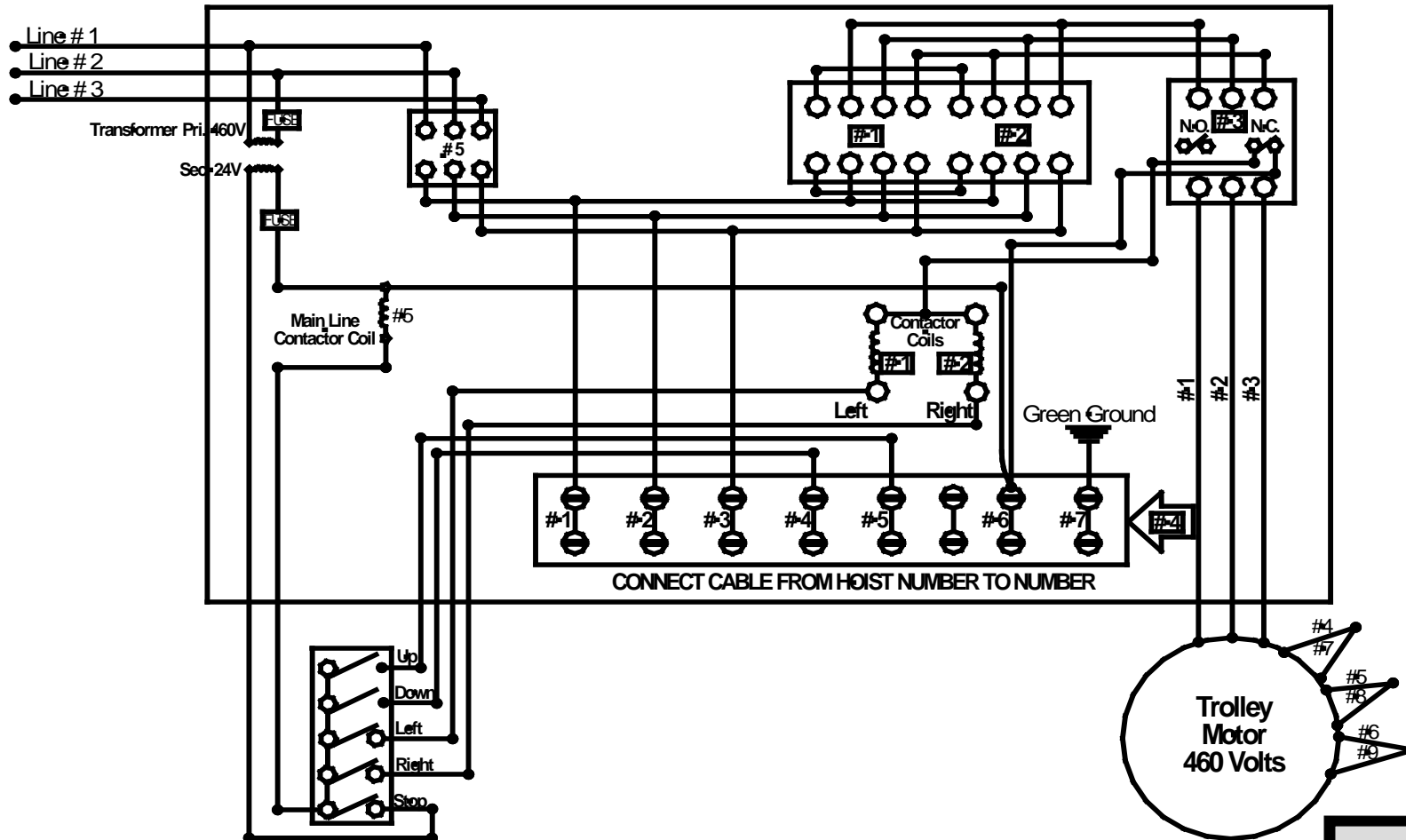
# VULCAN ELECTRIC TROLLEY WITH THERMAL OVERLOAD TO CONNECT WITH VULCAN ELECTRIC HOIST

#T227A

460 Volts 3 phase 60 Hz

24 Volt Controls

See Diagram # T227



INDEX	
#1	Left Contactor
#2	Right Contactor
#3	Thermal Overload
#4	Terminal Block
#5	Main Line Contactor

Revised April, 2010

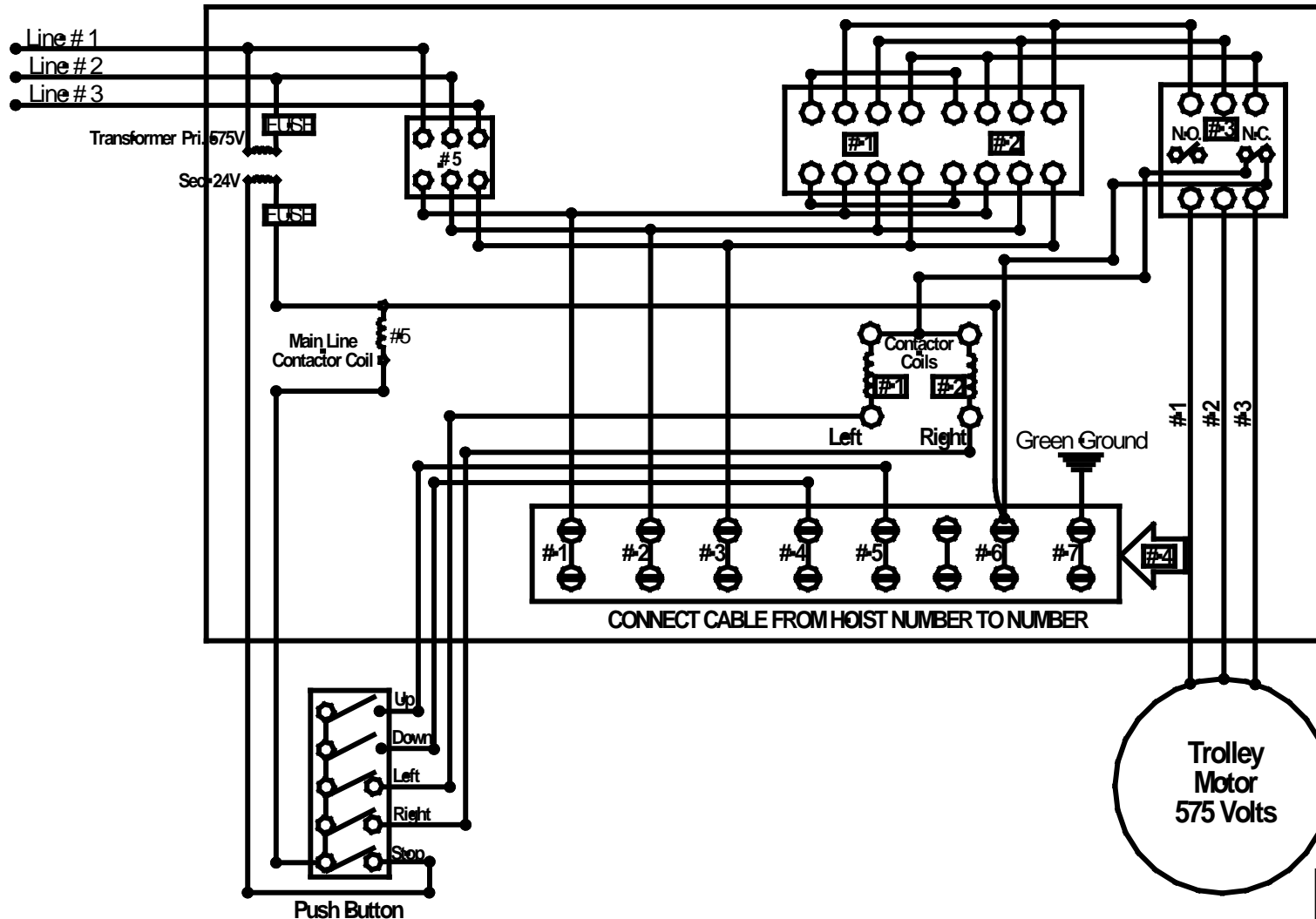
# VULCAN ELECTRIC TROLLEY WITH THERMAL OVERLOAD TO CONNECT WITH VULCAN ELECTRIC HOIST

#V127A

575 Volts 3 phase 60 Hz

24 Volt Controls

See Diagram # V127



INDEX	
#1	Left Contactor
#2	Right Contactor
#3	Thermal Overload
#4	Terminal Block
#5	Main Line Contactor

Revised May, 2010