

SELF-LOCKING HOOK



VULCAN'S SELF-LOCKING HOOK:

Sturdy and safe build - requires
minimal maintenance

1/4T to 5T capacity

Complies with ANSI B30.10
and B30.16 standards

5:1 Safety Factor

Sturdy

- Hook made of grade-80 forged steel alloy
- Safety yellow finish

Safe

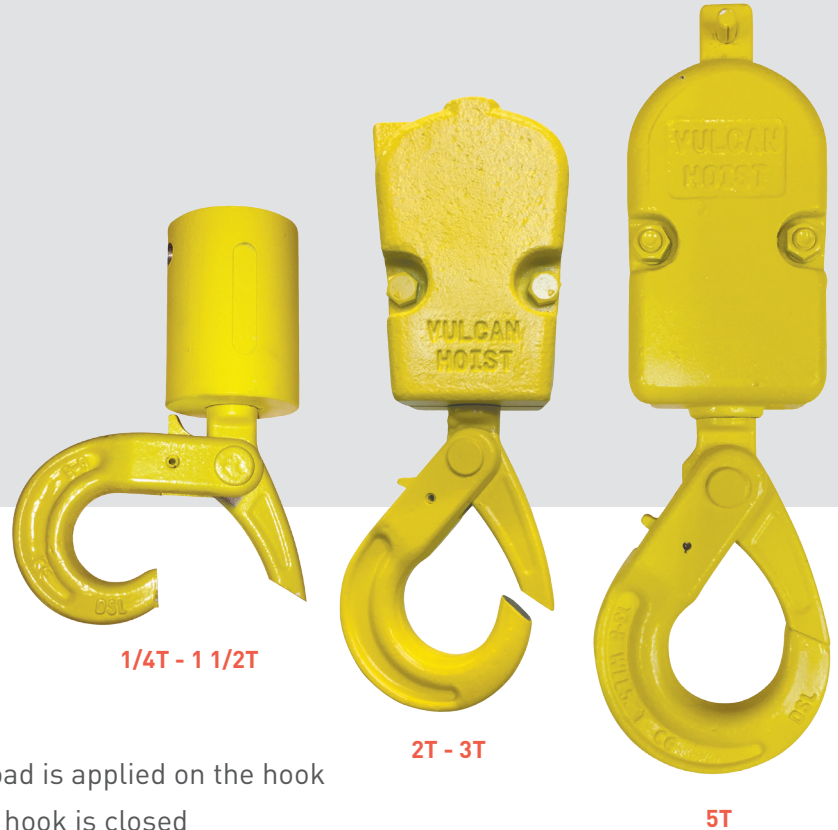
- Latch automatically closes and locks once load is applied on the hook
- Load fitting is secured inside the hook when hook is closed
- Once close, latch fits the hook profile perfectly

Minimal maintenance

- No spring latch to replace
- Save time and money

Easy to handle

- Simplified hook opening with ergonomic release



SELF-LOCKING HOOK

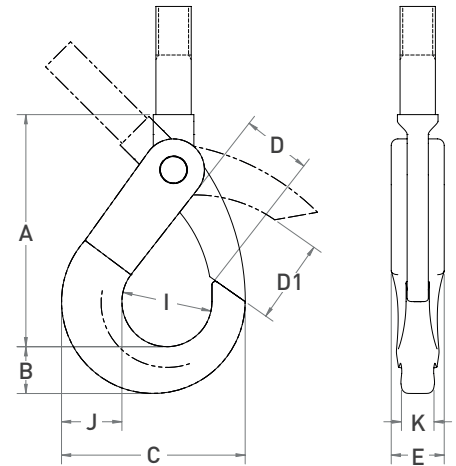


Vulcan hook for lifting mold installation

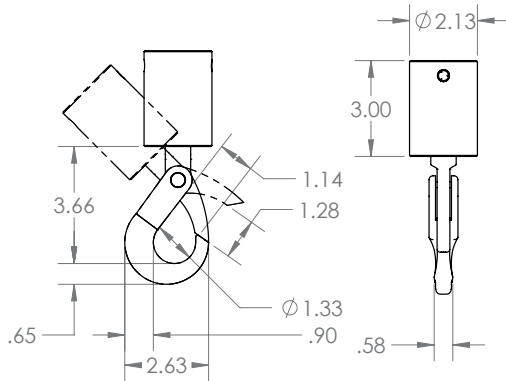
MODEL	Capacity Tons (MT)	Net weight lb	Dimensions								
			A	B	C	D	D1	E	I	J	K
HOPHL-301A	0.25	0.75	3.66	0.81	2.75	1.09	1.30	0.91	1.31	0.88	0.47
HOPHL-301B	0.5	0.75	3.66	0.81	2.75	1.09	1.30	0.91	1.31	0.88	0.47
HOPHL-301	1	0.75	3.66	0.81	2.75	1.09	1.30	0.91	1.31	0.88	0.47
HOPHL-301C	1.5	2.5	5.38	1.17	4.25	1.72	2.25	1.25	2.13	1.38	0.78
HOPHL-302	2	2.5	5.38	1.17	4.25	1.72	2.25	1.25	2.13	1.38	0.78
HOPHL-303	3	2.5	5.38	1.17	4.25	1.72	2.25	1.25	2.13	1.38	0.78
HOPHL-305	5	6	6.50	1.56	5.31	2.00	2.50	1.50	2.50	1.72	0.84

Self-locking hook is also available already mounted in the Vulcan lifting mold

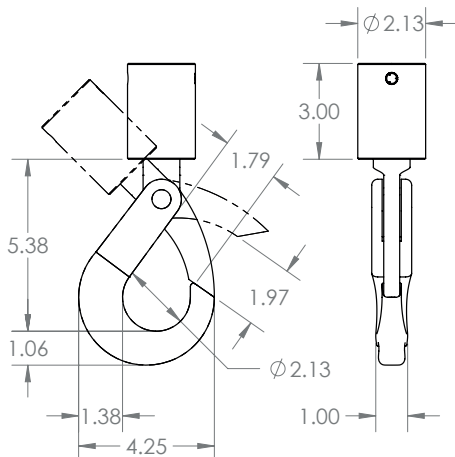
- 360-degree swivelling hook
- Steel ball bearing
- Shear-resisting steel alloy connecting pin for the chain



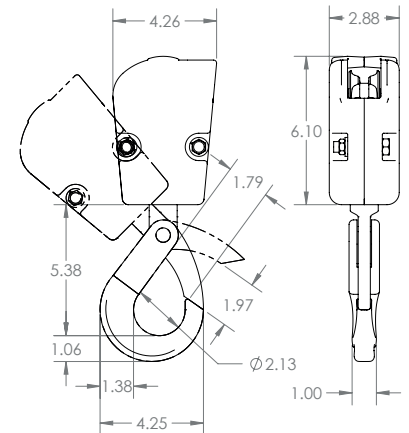
1 FALL
1/4T - 1T



1 FALL
1 1/2T



2 FALLS
2T - 3T



3 FALLS
5T

