

LOW HEADROOM TROLLEY NOVA



TECHNICAL SHEET



1/2T to 5T

Available in push and gear versions

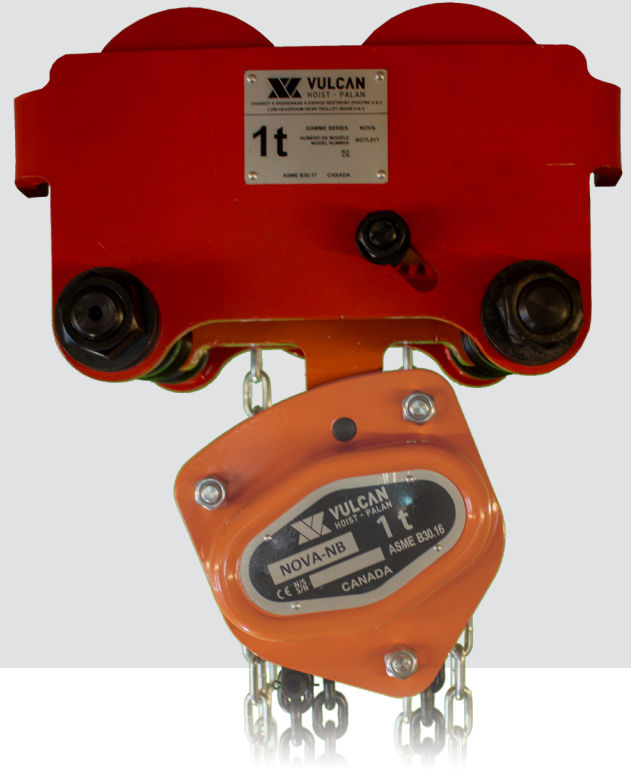
Compact design for reduced headroom, at least 4 inch less than conventional hoist/trolley combo

Cast iron wheels

Drop stops

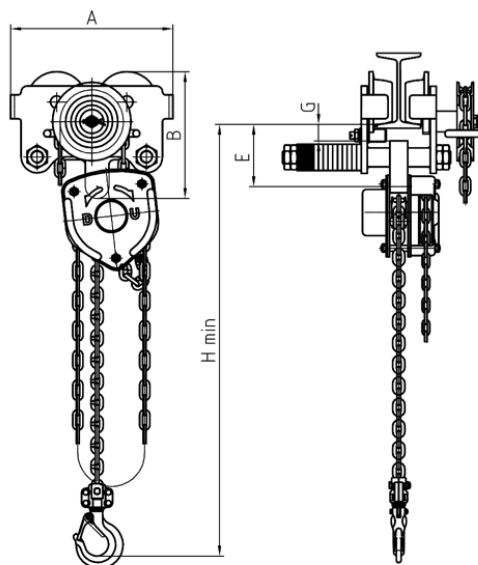
Universal wheels; compatible with tapered beams (I and S) and flat-profile beams (H and W)

Compliant with ASME B30.17



- Durability: Cast-iron wheels exhibit high resistance to wear and tear, ensuring prolonged longevity.
- Ease of handling: The compact design enhances lift height and space efficiency, facilitating use in confined spaces.
- Safety: The trolley drop stop devices prevent it from falling in the event of wheel breakage, ensuring the safety of both load and operator.
- Stability: The dual stay bolt configuration provides enhanced stability and rigidity, promoting safer operations.

TECHNICAL SPECIFICATIONS



Trolley Model	Capacity metric Tonne [lb]	Chain Block Model*	H mm [in]	A mm [in]	B mm [in]	E mm [in]	G mm [in]
NPTL0.5T NGTL0.5T	0.5 [1102]	NB0.5T	263 [10.36]	238 [9.37]	169 [6.65]	86 [3.39]	25 [0.98]
NPTL01T NGTL01T	1.0 [2204]	NB01T	342 [13.47]	273 [10.75]	170 [6.69]	105 [4.11]	27.5 [1.08]
NPTL02T NGTL02T	2.0 [4409]	NB02T	399 [15.71]	303 [11.93]	181 [7.13]	115 [4.53]	25 [0.98]
NPTL03T NGTL03T	3.0 [6613]	NB03T	470 [18.51]	363 [14.29]	230 [9.06]	125 [4.92]	29 [1.14]
NPTL05T NGTL05T	5.0 [11023]	NB05T	584 [23.00]	436 [17.17]	260 [10.24]	146 [5.75]	33 [1.30]

* Hoist not included with trolley. Only Nova (NB) hoists are compatible with low headroom trolleys.

Compatibility table between trolleys and beams, mm [in]

Trolley Model	Capacity metric Ton [lb]	Minimum beam width	Maximum beam width	Maximum flange thickness	Minimum internal flange height	Minimum powder coating bend radius
NPTL0.5T NGTL0.5T	0.5 [1102]	50 [1.97]	180 [7.08]	25 [0.98]	60 [2.37]	900 [35.44]
NPTL01T NGTL01T	1.0 [2204]	68 [2.68]		27.5 [1.08]	77 [3.03]	1000 [39.37]
NPTL02T NGTL02T	2.0 [4409]	74 [2.91]		25 [0.98]	92 [3.63]	1200 [47.25]
NPTL03T NGTL03T	3.0 [6613]			29 [1.14]	112 [4.41]	1500 [59.06]
NPTL05T NGTL05T	5.0 [11023]	94 [3.70]		33 [1.29]	124 [4.89]	2000 [78.74]