

ELECTRIC WINCH



New generation winch
UP TO 7000 LB
POWER TO SPARE!

65 YEARS OF EXPERIENCE IN THE MANUFACTURING OF STURDY, PERFORMING ELECTRICAL WINCHES:

- Made in Canada
- 2-year warranty
- Meets and exceeds ASME B30.7 standard
- Custom manufacturing
- Testing and inspection certificate included



PERFECTLY SUITED FOR APPLICATIONS FROM THE MINING, FOREST PRODUCTS, WIND, MARINE, HYDROELECTRIC, METAL AND CONSTRUCTION INDUSTRIES, AS WELL AS FOR MUNICIPALITIES.

DIRECT TRANSMISSION a silent feature that eliminates the need for a conventional drive belt

AERONAUTICS-GRADE STEEL CABLE with unparalleled performance and durability

LARGE-DIAMETER DRUM made of seamless steel for an even winding of the cable

COMPACT, STURDY DESIGN for severe industrial applications

IN HOISTING MODE, the automatic electromagnetic break ensures a safe handling of the load

FULLY LUBRICATED GEARS encased in a sealed oil bath to reduce wear of moving parts

SEALED BALL BEARINGS for a smooth, efficient drum rotation

MOUNTING on the ground or vertical for better versatility

CORROSION AND WEATHER-PROOF PAINT

SAFETY FACTOR

- 5:1 in HOISTING mode
- 3.5:1 in PULLING mode

AVAILABLE OPTIONS:

- Totally enclosed, fan-cooled (TEFC) motor
- P55 and IP65 ratings
- Thermal overload relay
- Limit switch
- Emergency stop
- NEMA 4 control box
- IEEE 45 for maritime applications
- Plate or steel beam mounting

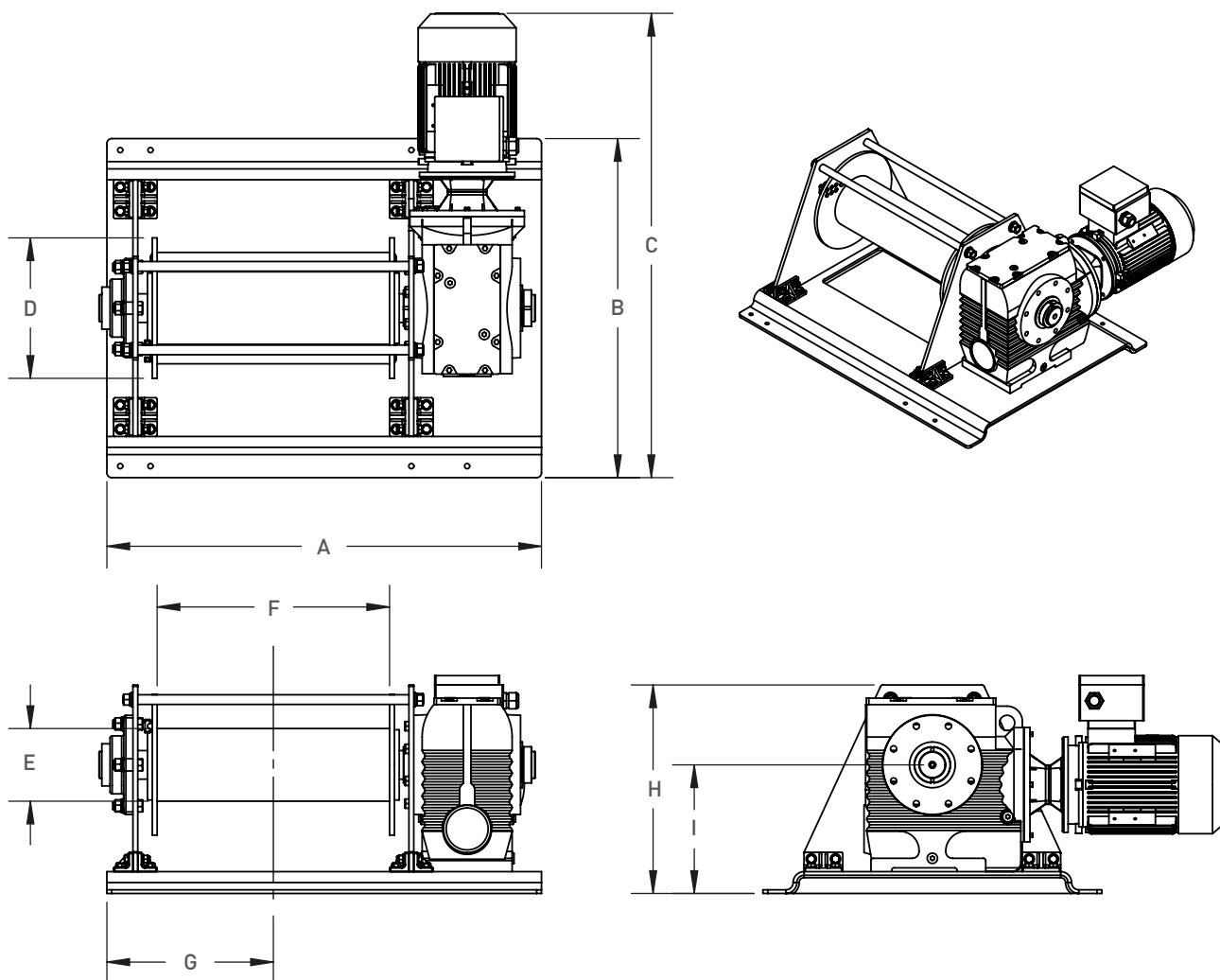
MADE IN CANADA
CUSTOM-MADE
VULCAN IS THE ONLY CANADIAN MANUFACTURER of electric chain hoists, trolleys and winches.

ELECTRIC WINCH



MODEL	Dimensions								
	A	B	C*	D	E	F	G	H	I
	in								
WIU-47	29 7/8	21	27	5 3/4	3 3/8	16	13 3/16	9 11/16	6 3/16
WIU-57	38 3/8	22	28 1/2	6 5/8	3 3/4	24	17 3/16	10 5/8	5 5/8
WIU-67	39 3/8	23	29 7/8	7 3/8	3 3/4	24	17 3/16	12 1/4	17 3/4
WIU-77	41 3/8	28	35 1/2	9 3/8	4 3/4	24	17 3/16	14 7/8	9 3/8
WIU-87	42 7/8	30	39 5/8	11 1/4	5 3/4	24	17 3/16	17 1/2	11 1/8
WIU-97	44 7/8	35	48	14 1/2	7 1/2	24	17 3/16	21 1/2	13 1/4

* Measurement can vary with the addition of a brake, venting system and/or accessories



ELECTRIC WINCH



MODEL	STD wire rope dia.	Motor	Weight	Layers specific parameters	Layer 1	Layer 2	Layer 3	Layer 4
	in	hp	lb					
WIU-47	1/8	3/4	195	WLL hauling (lb)	550	500	475	450
				WLL lifting (lb)	400	400	400	400
				Layer wire rope capacity (ft)	115	120	125	130
				Total wire rope capacity (ft)	490			
				Line speed (ft/min)	22	23.5	25.5	27
WIU-57	3/16	2	290	WLL hauling (lb)	900	850	750	700
				WLL lifting (lb)	800	800	750	700
				Layer wire rope capacity (ft)	130	140	145	150
				Total wire rope capacity (ft)	440			
				Line speed (ft/min)	25	27.5	29.5	32
WIU-67	1/4	2	330	WLL hauling (lb)	1650	1450	1300	1200
				WLL lifting (lb)	1400	1200	1050	950
				Layer wire rope capacity (ft)	100	105	115	120
				Total wire rope capacity (ft)	440			
				Line speed (ft/min)	18.5	20.5	23	25.5
WIU-77	5/16	3	510	WLL hauling (lb)	2800	2700	2400	2200
				WLL lifting (lb)	1900	1900	1900	1850
				Layer wire rope capacity (ft)	100	105	115	120
				Total wire rope capacity (ft)	440			
				Line speed (ft/min)	13.5	15.5	17	18.5
WIU-87	3/8	5	710	WLL hauling (lb)	4100	4100	3800	3400
				WLL lifting (lb)	2800	2800	2800	2600
				Layer wire rope capacity (ft)	100	105	115	120
				Total wire rope capacity (ft)	440			
				Line speed (ft/min)	16	18	20	21.5
WIU-97	1/2	7-1/2	1250	WLL hauling (lb)	7000	6200	5600	5100
				WLL lifting (lb)	5400	4800	4350	3950
				Layer wire rope capacity (ft)	100	105	115	120
				Total wire rope capacity (ft)	440			
				Line speed (ft/min)	15.5	17.5	19.5	21.5

¹ Total cable capacity is based upon cable diameter shown. Total cable capacity can vary depending on cable diameter chosen.