

# BEAM CLAMP

## ONE YEAR WARRANTY

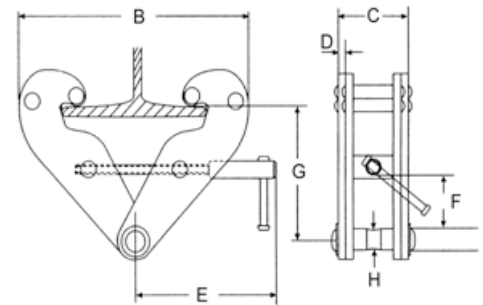
## TECHNICAL SHEET

- All steel robust construction
- Compact size
- Light weight
- Quick & easy installation for I & H beam



## TECHNICAL SPECS

Cap. Tons	Dimensions in						
	B		C	D	E	F	H
	Min.	Max.					
1	8	12	2.52	0.2	9.25	2.18	0.87
2	8	12	2.92	0.24	9.25	2.18	0.87
3	9.37	17.50	4.06	0.32	11	2.62	0.95
5	9.37	17.50	4.33	0.39	11	2.62	1.1
10	10.25	17.75	4.73	47	11	2.62	1.58



MODEL	Cap. Tons	Safe working load	Test load	Dimensions in				Net weight
				Flange width		G Headroom		
				lb	tons	Min.	Max.	
NBC1T	1	2 200	1.5	1.75	7.50	4.87	5.50	9.5
NBC2T	2	4 400	3	1.75	7.50	4.87	5.50	10.5
NBC3T	3	6 600	4.5	2	12	6.50	8.25	20
NBC5T	5	11 000	6.25	2	12	6.50	8.25	24.5
NBC10T	10	22 000	12.5	2.50	11.75	6.75	8.37	34